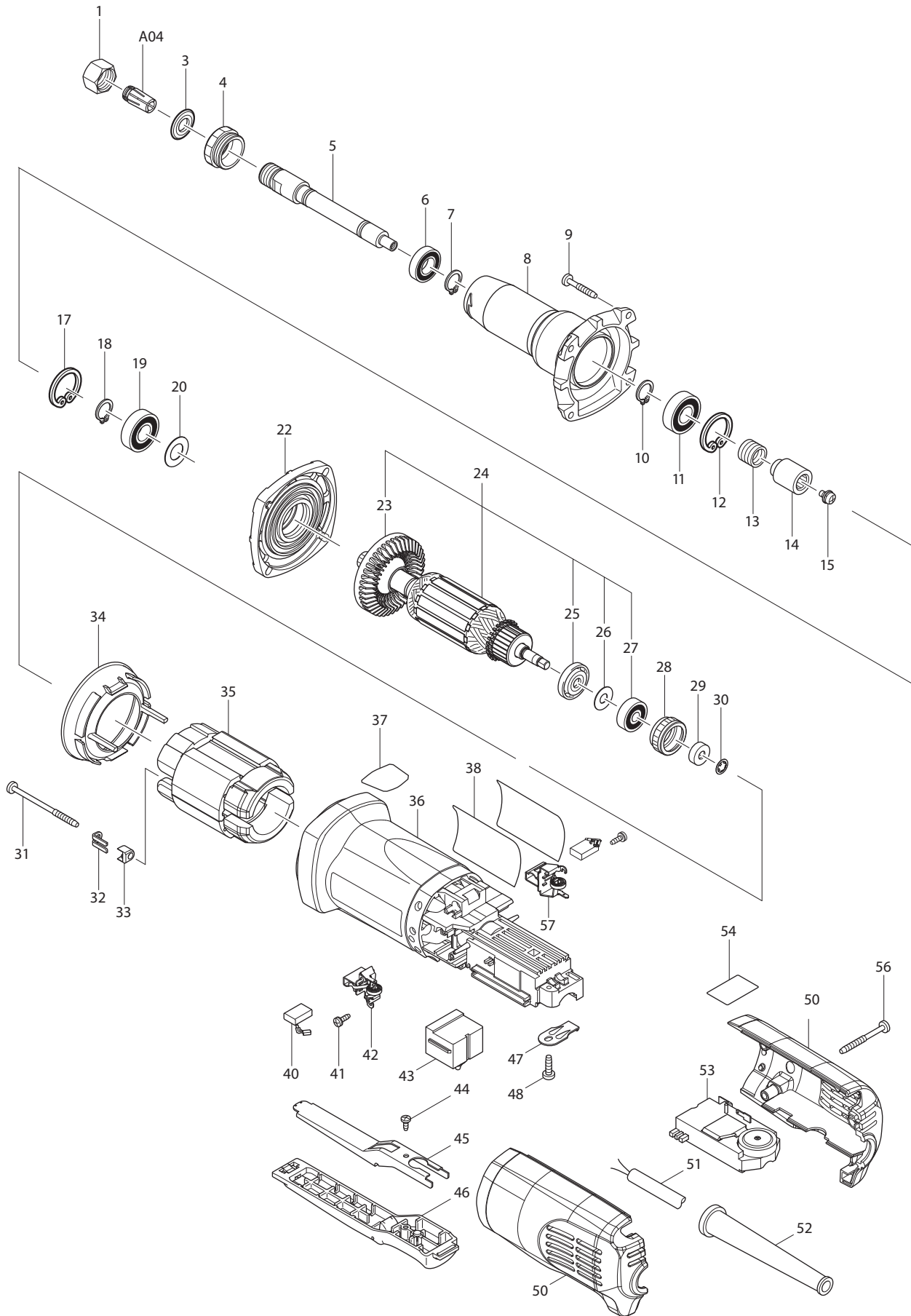




07 - 2014

GD0801C

1/4" DIE GRINDR (HIGH SPEED)



PARTS LIST

Item No	Type	Part No	Description	Qty	Unit
001		763645-2	COLLET NUT	1	PC.
003		213209-7	OIL SEAL 16	1	PC.
004		285700-5	BEARING RETAINER	1	PC.
005		324042-3	SPINDLE	1	PC.
006		211141-9	BALL BEARING 6901LLB	1	PC.
007		961052-5	RETAINING RING S-12	1	PC.
008		317368-0	BARREL	1	PC.
009		265999-8	TAPPING SCREW 4X25	4	PC.
010		961052-5	RETAINING RING S-12	1	PC.
011		211148-5	BALL BEARING 6001ZZ	1	PC.
012		962106-1	RETAINING RING R-28	1	PC.
013		233901-9	LOCK SPRING 12	1	PC.
014		323989-8	COUPLING	1	PC.
015		265082-1	PAN HEAD SCREW M4X8	1	PC.
017		962106-1	RETAINING RING R-28	1	PC.
018		961052-5	RETAINING RING S-12	1	PC.
019		211148-5	BALL BEARING 6001ZZ	1	PC.
020		253084-9	FLAT WASHER 12	1	PC.
022		317367-2	BEARING BOX	1	PC.
023		240036-9	FAN 57	1	PC.
024	2	510304-7	ARMATURE ASS'Y 115V	1	PC.
024	2	INC.	Item No. 23,25-27		
025		681656-4	INSULATION WASHER	1	PC.
026		253823-7	FLAT WASHER 7	1	PC.
027	2	210045-2	BALL BEARING 627DDW	1	PC.
028		421770-2	LABYRINTH RUBBER RING 22	1	PC.
029		688117-5	MAGNET SLEEVE	1	PC.
030		259039-2	SELF LOCK 6	1	PC.
031		266259-1	TAPPING SCREW 4X60	2	PC.
032		344871-8	RETAINER	2	PC.
033		417237-6	* INSULATION COVER	2	PC.
034		455367-5	BAFFLE PLATE	1	PC.
035	1	628190-3	FIELD 115V	1	PC.
036		142898-0	MOTOR HOUSING COMPLETE	1	PC.
036		INC. 804Y05-0	CAUTION LABEL	1	PC.
036		INC. 810341-4	CAUTION LABEL EN FR SP - Removed	1	PC.
038		850F20-8	NAME PLATE F/GD0801C	1	PC.
039		819356-8	CLEAR LABEL	1	PC.

Item No	Type	Part No	Description	Qty	Unit
040		196454-8	AC CARBON BRUSH CB-340 2PC/SET	1	SET
041		266256-7	TAPPING SCREW PT3X10	4	PC.
042		643760-7	BRUSH HOLDER	1	PC.
043		650579-7	SWITCH 1246.3223, SINGLE	1	PC.
044		265954-0	TAPPING SCREW BIND PT3X8	1	PC.
045		345504-8	PLATE	1	PC.
046		154584-1	SWITCH LEVER B COMPLETE	1	PC.
047		687169-3	STRAIN RELIEF	1	PC.
048	2	265B74-2	TAPPING SCREW 4X14	1	PC.
050	1	188365-1	* REAR COVER SET	1	SET
050	2	183U29-8	* REAR COVER SET	1	SET
051		664064-4	CORD W/PLUG 2P-18-2.5M SJ	1	PC.
052		682559-5	CORD GUARD 8	1	PC.
053		620339-1	CONTROLLER	1	PC.
054		804Y15-7	INDICATION LABEL	1	PC.
056		266048-4	TAPPING SCREW 4X40	3	PC.
057		643760-7	BRUSH HOLDER	1	PC.
A01		192985-5	SIDE HANDLE SET	1	PC.
A01	INC.	415485-1	GRIP BASE	1	PC.
A01	INC.	921919-9	HEX. BOLT M8X110	1	PC.
A01	INC.	153503-4	GRIP 36 COMPLETE	1	PC.
A02		781203-2	WRENCH 13	1	PC.
A03		781206-6	WRENCH 19	1	PC.
A04		192986-3	COLLET CONE 1/4"	1	PC.
A04	INC.		Item No. 1	1	PC.
A05		192987-1	COLLET CONE 1/8"	1	PC.
A05	INC.		Item No. 1	1	PC.
A06		193012-1	COLLET CONE 6MM	1	PC.
A06	INC.		Item No. 1	1	PC.
A07		193141-0	WISE HOLDER SET	1	PC.
A08		-----	CARBIDE BURRS		
D01		652044-2	+BIND SCREW M3.5X5.0	2	PC.
D02		654285-6	RECEPTACLE	2	PC.
D04		654117-7	INSULATING TERMINAL	2	PC.